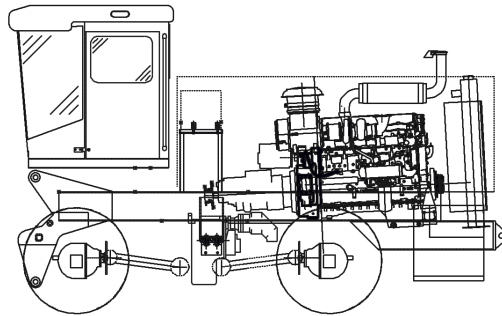
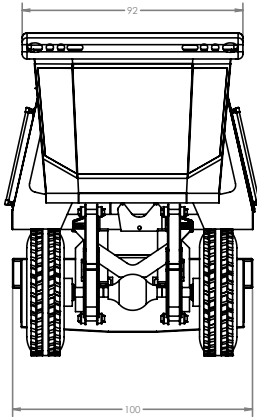
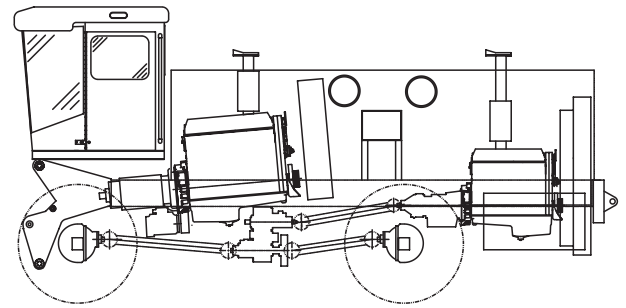


KODIAK CHASSIS



SINGLE ENGINE CHASSIS



DOUBLE ENGINE CHASSIS

CHASSIS SPECIFICATIONS:

AIR CLEANER

Type: Dry, two-stage with safety element • Underhood

AXLES

37,000 LBS

AIR BRAKES

Type: Drum or Disc • Spring Mounted • Standard or Anti-lock(optional)

CAB CONSTRUCTION

Extra heavy duty • Corrosion Resistant • Steel & fiberglass body • Full-length steel piano type door hinges • Fully rust proofed • Panoramic reverse slope windshield • Power windows left & right • Stationary rear window • Dome lights • Courtesy entry lights • Tinted safety glass • 72 inch cab width • Four point rubber mount

STANDARD ACCESSORIES

Electric air horn • Air ride driver's seat center mounted • Fold-up passenger jump seat • 55,000 BTU heater/ defroster • Digital Climate Control • 12 volt power outlet • Cup holders • (2) doors • Electric, heated West Coast type mirrors with separate remote adjustable heated spotter mirrors • Keyed chassis engine • Fresh air type heater and defroster • Grab Handles • Three electric windshield wipers mounted below windshield with

intermittent speed control • Self-Cancelling turn signals • Side window defrosters • Sun visors, full width front • Tilt/telescoping steering wheel • Windshield washer • Three point seat belts • Digital clock

INSTRUMENTATION

Plus 1 electronic control package • LCD dash screen on console • Speedometer • Odometer • Tachometer • Hour meter • Voltmeter • Air system pressure • Fuel Level with low fuel level warning • Warning icons for: Low Air Pressure, ABS Fail, ABS Communication lost, Engine Stop, Engine Fail mode, Low Voltage, Engine overheat, Engine low oil pressure, Transmission overheat, Transmission fail, Transmission communication lost, Hydraulic temperature, Hydraulic fluid level, Parking Brake Applied, Tier 4 Warnings • Low transmission oil sensor • Transfer case range • Traction enhancement locked / unlocked • Transmission gear selection • Chassis Hydraulics Warning System: low level / high temperature

CHASSIS EQUIPMENT

Air dryer • Backup alarm • Crankshaft PTO adapter • Dual 124-150 gallon fuel tanks or single up to 500 gallons • Flat top steel fenders • Heated fuel/water separator • Mud flaps front &

rear tires • One piece steel engine cover with large access doors • Vertical exhaust with stainless steel shield

COOLING SYSTEM

Radiator Core: Fin & tube type • Horizontal flow
Charge Air Cooler: Cooling flow parallel to radiator
Fan: matched to cooling needs

DRIVE ENGINE

Tier 4 Final
Cummins or Scania
300-550 HP

ELECTRICAL SYSTEM

Alternator: 145 amp -270 amp chassis engine driven
Lighting: 12 volt
Starting: 12 or 24 volt
Battery: Four 12 volt, 950 CCA each @ 0° F (3800 CCA Total)

CAB

Cab Rear or Cab Over

FRAME

Material: Carbon manganese steel, heat treated
Type: Single formed channel
Yield Strength: 120,000 psi {827 Mpa} minimum
Section Modulus: 24.85 inch, cubed per rail

KODIAK CHASSIS

RBM: 2,857,750 in-lb per rail
Construction: Grade 8 flanged bolts and flanged lock nuts
Front Frame Extension: 24 inches
Rear Tow Hooks: Two (2)
Bumper: Straight rear, full width

LIGHTING

Light Bar mounted headlights with integral turn signals • Clearance and marker lights to comply with federal FMVSS regulations • Engine compartment lights • Roof mounted strobe light • Dual back-up lights • Dual stop, tail, turn signal lights (LED) at rear • Work lights

PAINT

Acrylic urethane • Epoxy primer • One color, customer preference

PROPELLER SHAFTS

Make & Model: Dana 1710-1810 Series • Dynamically balanced

STEERING SYSTEM

Make & Type: Sheppard M110 integral hydraulic power gear
4-Wheel Steer: Plus 1 Electronic Package

SUSPENSION

Front & Rear Type: Betts Semi-elliptic spring
Main: 7 leaf, 48 x 4 inch
Auxiliary: 4 leaf, 32 x 4 inch
Rating: up to 50,000 lbs.

TIRES

Make & Tread: Options Available
Size: 385/95R24

TRANSFER CASE

Single Engine: Funk 2000
Speeds: 6 Speed
Double Engine: Fabco1702
Speeds: 2



TRANSMISSION

Allison® 4th generation 4-6 speed electronic
1st.....3.51:1
2nd.....1.91:1
3rd.....1.43:1
4th.....1.00:1
Reverse.....4.80:1
Optional: Funk 2000 Hydrostatically Driven

VEHICLE RATINGS

Rating at Axle Hubs:
Front: 37,000 lbs.
Rear: 37,000 lbs.
Total: 74,000 lbs.

WHEEL BASE

108-164 inches

WHEELS

Type: Steel Disc • 24.00 x 12 inches

CHASSIS OPTIONS

ACCESSORIES (OPTIONAL)

Air conditioner • Auxiliary heater • Heated side window wipers • Heated windshield • Heated front wipers • National Premium heated driver's seat with 3-way air adjustable lumbar support • AM/FM radio with weather band & CD player • Deluge System • Lubrication data plates

ATTACHMENTS

Snow Blowers • Various broom packages • Underbody scraper (chassis only) • Push Plow

DRIVE TRAIN

Different horsepower engines • Allison 4th Generation 4500 transmission • All Wheel Electronic Steer • Driver controlled transfer case • External air intake

ELECTRICAL SYSTEM

160-270 amp high-output alternator • HID and other lighting • On-board battery charger • Battery Disconnect at battery box

FRAME AND CHASSIS

Single & double side fuel fill • 110-volt in-tank fuel heater • Centralized side drain kit • Quick hitch for mounting broom, blower or plow attachments • ADIP air dryer • Pintle hitch

TIRES & WHEELS

Michelin Tires

WINTERIZATION

Engine block heater, up to 1500 watts • Battery heater, 300 watts & in-tank fuel heater • Jumper lugs at battery box

*Consult factory for complete option list and option compatibility. Other engine ratings are available