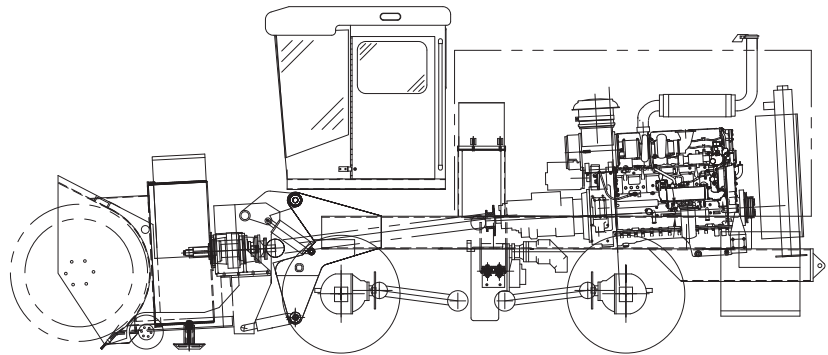
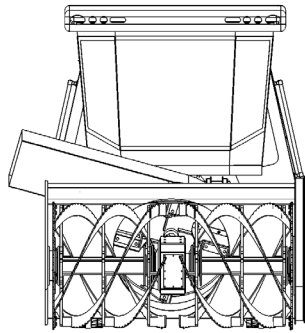


# KODIAK SNOW BLOWER

## BLOWER HEAD AND POWER TRAIN

(MECHANICAL SERIES)



### CLUTCH

Type: Full torque with SAE No. 1 housing, power engage / disengage  
Size: 14 or 18 inch, three plates

### HYDRAULIC SYSTEM

	Lift	Ribbon
Tank	16	16
PSI	2,000	2,000
GPM	20	20
Pump	Chassis	Blower
Filter	SAE J931	SAE J931
Control	Joystick	2-speed

Shut off valve at reservoir outlet • Auger drive • Low oil level / high temp

### IMPELLER SHAFTS

Heavy Duty Transmission to blower impeller to Kodiak 352CD Gear Box • 1710-1810 Series

### BLOWER ENGINE

Scania, Cummins  
Horsepower at requested level: 400-1200 HP  
Heated fuel / water separator  
Blower Transmission  
Four speed with reverse or Kodiak 965 Gear Reducer

### BLOWER TRANSMISSION

Four speed with reverse or Kodiak 965 Gear Reducer

### RIBBON AUGER

44-60 inch diameter • 4 Blades •

Mechanical Drive • Reversible ribbon-drive • Serrated Ribbons

### IMPELLER

Size: 44-82 diameter • 4-5 Blades  
• Two shear bolts for ribbon drive & two shear bolts for impeller shaft flange

### HEAD

• Abrasion resistant skid shoes • Two ribbon halves on each side of center drive gear box • Removable ribbon flights

### AIR CLEANER

Type: Dry, two-stage with safety element

### COOLING SYSTEM

Radiator Cores: Fin and tube type  
Charge Air Cooling: Cooling parallel to radiator  
Fan: Matched to cooling needs  
Spin on Coolant Filters (optional), Silicone Radiator and Heater Hoses

### CAB BLOWER

### INSTRUMENTATION

• Joystick fault • Transmission Range • Chute rotation • Float / weight transfer

### TONS PER HOUR

3,000 - 11,000 TPH

### BLOWER HEAD OPTIONS

Blower Head: Carbide and polymer

cutting edges • Carbide skid pads  
• Rubber tire casters with weight transfer system • Spare impeller paddles • Left hand fl at cast • Multi-section cutting edges • Smooth ribbons • Side cutter bars • Volute liner • Blower head liner • Spot casting chute • Quick disconnect prop shaft • 10 inch steel caster wheels or 16 inch dual pneumatic • Volute liner

### WINTERIZATION

Engine oil pan heater • Engine Block heater • Arctic Package

\*For reference only. The addition of options will change the listed standard dimensions and weights in some cases. For certified dimensions and weights consult Kodiak America, LLC. Specifications, descriptions and illustrations in this literature are as accurate as known at the time of publication but are subject to change without notice. Ratings are general guidelines. Actual ratings vary with application and duty cycle. Illustrations may include optional equipment and accessories but may not include all standard equipment. Consult Kodiak America, LLC for additional information.

