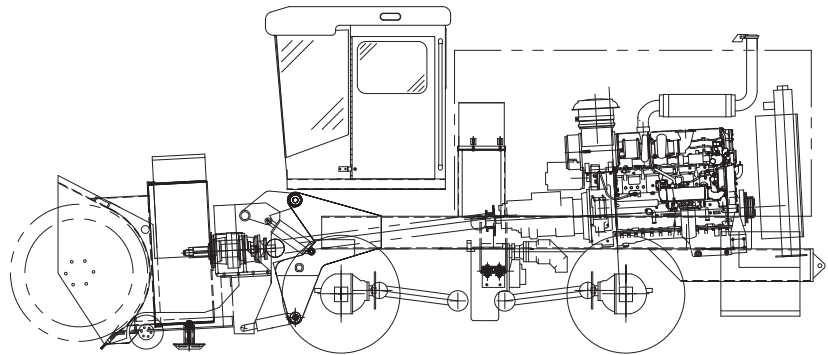
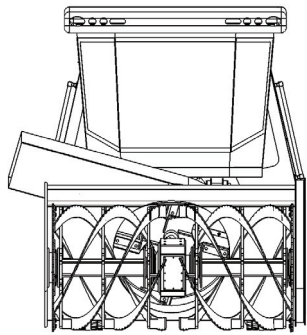


KODIAK SNOW BLOWER

BLOWER HEAD AND POWER TRAIN

(MECHANICAL SERIES)



CLUTCH

Type: Full torque with SAE No. 1 housing, power engage/disengage
Size: 14 or 18 in, three plates

HYDRAULIC SYSTEM

	Lift	Ribbon
Tank	16	16
PSI	2,000	2,000
GPM	20	20
Pump	Chassis	Blower
Filter	SAE J931	SAE J931
Control	Joystick	2-speed

Shut off valve at reservoir outlet
• Auger drive • Low oil level/high temp

IMPELLER SHAFTS

Heavy Duty Transmission to blower impeller to Kodiak 352CD Gear Box
• 1710-1810 Series

BLOWER ENGINE

• Horsepower at requested level
400-1300 HP
• Heated fuel/Water separator

BLOWER TRANSMISSION

• Four speed with reverse or Kodiak 965 Gear Reducer

RIBBON AUGER

44-60 inch diameter • 4 Blades
• Mechanical Drive
• Reversible ribbon-drive

IMPELLER

Size: 44-82 diameter • 4-5 Blades
• Two shear bolts for ribbon drive & two shear bolts for impeller shaft flange

HEAD

10 inch steel caster wheels or 16 inch dual pneumatic • Abrasion resistant skid shoes • Two ribbon halves on each side of center drive gear box • Removable ribbon flights

AIR CLEANER

Type: Dry, two-stage with safety element • Inside/outside air box

COOLING SYSTEM

Frontal Area: 1400 in. minimum*
Radiator Cores: Fin and tube type with built-in deaeration system
Engine Air Intake Cooler:
Mounted in front of radiator
Fan: Engine manufacturers recommended standard
Spin on Coolant Filters
Silicone Radiator and heater Hoses

CAB BLOWER

INSTRUMENTATION
Ribbon Speed • Joystick active/inactive • Joystick fault • Ribbon rotation direction • Ribbon Stopped
• Transmission Range • Chute rotation • Float/weight transfer

TONS PER HOUR

3,000 - 11,000

BLOWER HEAD OPTIONS

Blower Head: Carbide & polymer cutting edges • Carbide skid pads
• Rubber tire casters with weight transfer system • Spare impeller paddles • Left hand flat cast
• Multi-section cutting edges
• Serrated ribbons • Side cutter bars
• Volute liner • Blower head liner
• Spot casting chute
• Quick disconnect prop shaft

WINTERIZATION

Engine oil pan heater • Engine Block heater • Arctic Package

*For reference only. The addition of options will change the listed standard dimensions and weights in some cases. For certified dimensions and weights consult Kodiak America, LLC. Specifications, descriptions and illustrations in this literature are as accurate as known at the time of publication but are subject to change without notice. Ratings are general guidelines. Actual ratings vary with application and duty cycle. Illustrations may include optional equipment and accessories but may not include all standard equipment. Consult Kodiak America, LLC for additional information.

